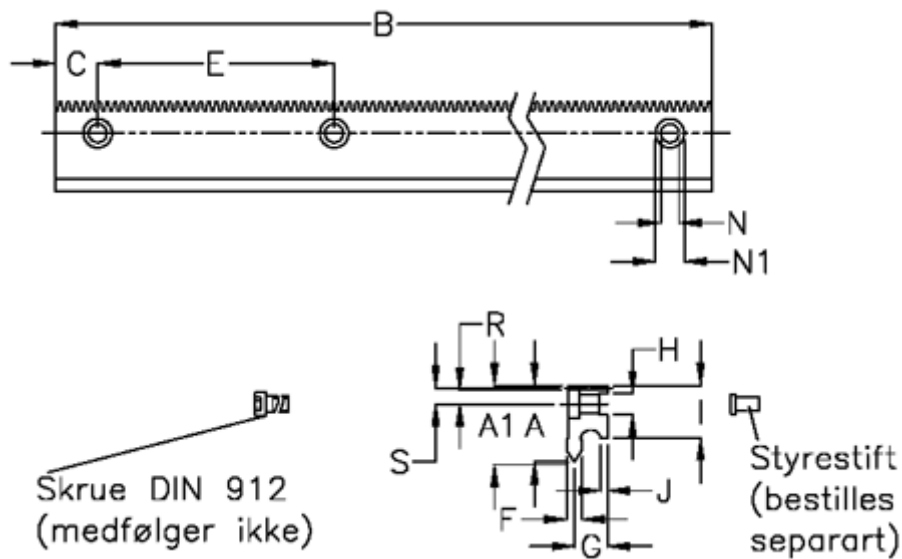


Article number: 057125123362

Description: Hepco GV3 slide NMS E L2336 P2  
with counterbored holes

## Measures



|               |         |                     |             |                          |
|---------------|---------|---------------------|-------------|--------------------------|
| A             | = 11    | G                   | = 6.4       | Side power N at I2 = 3.5 |
| A1            | = 11.19 | H                   | = 4         | Tooth size = 0.50        |
| B             | = 2336  | I                   | = 9.25      | Weight kg/1000 = 0.55    |
| C             | = 20.5  | J                   | = 1.70      |                          |
| E             | = 45    | N1                  | = 6.2 x 3.1 |                          |
| F             | = 3.20  | Precision type = P2 |             |                          |
| For bearing   | = J13   | R                   | = 3.80      |                          |
| For guide pin | = SDP4  | S                   | = 4.50      |                          |